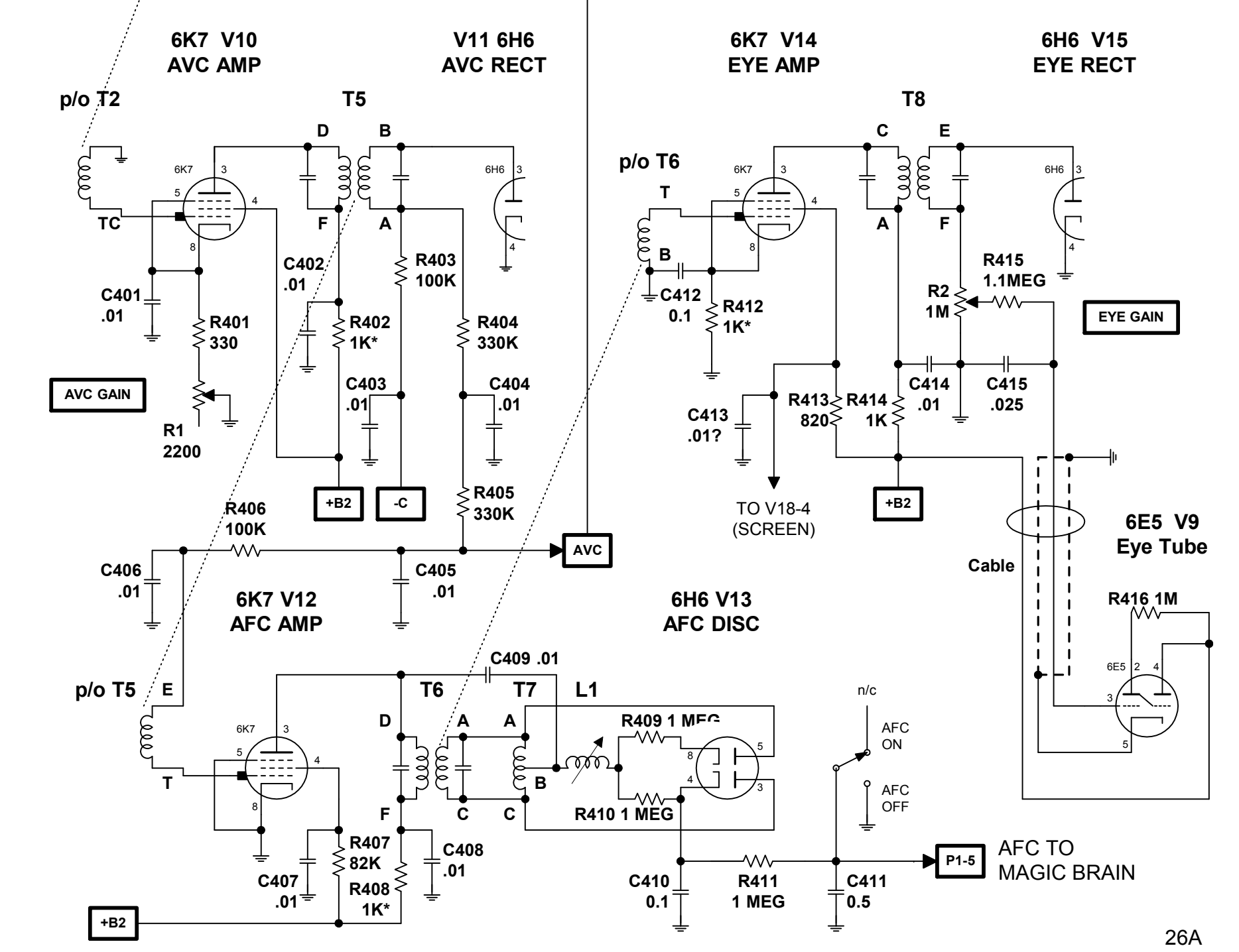
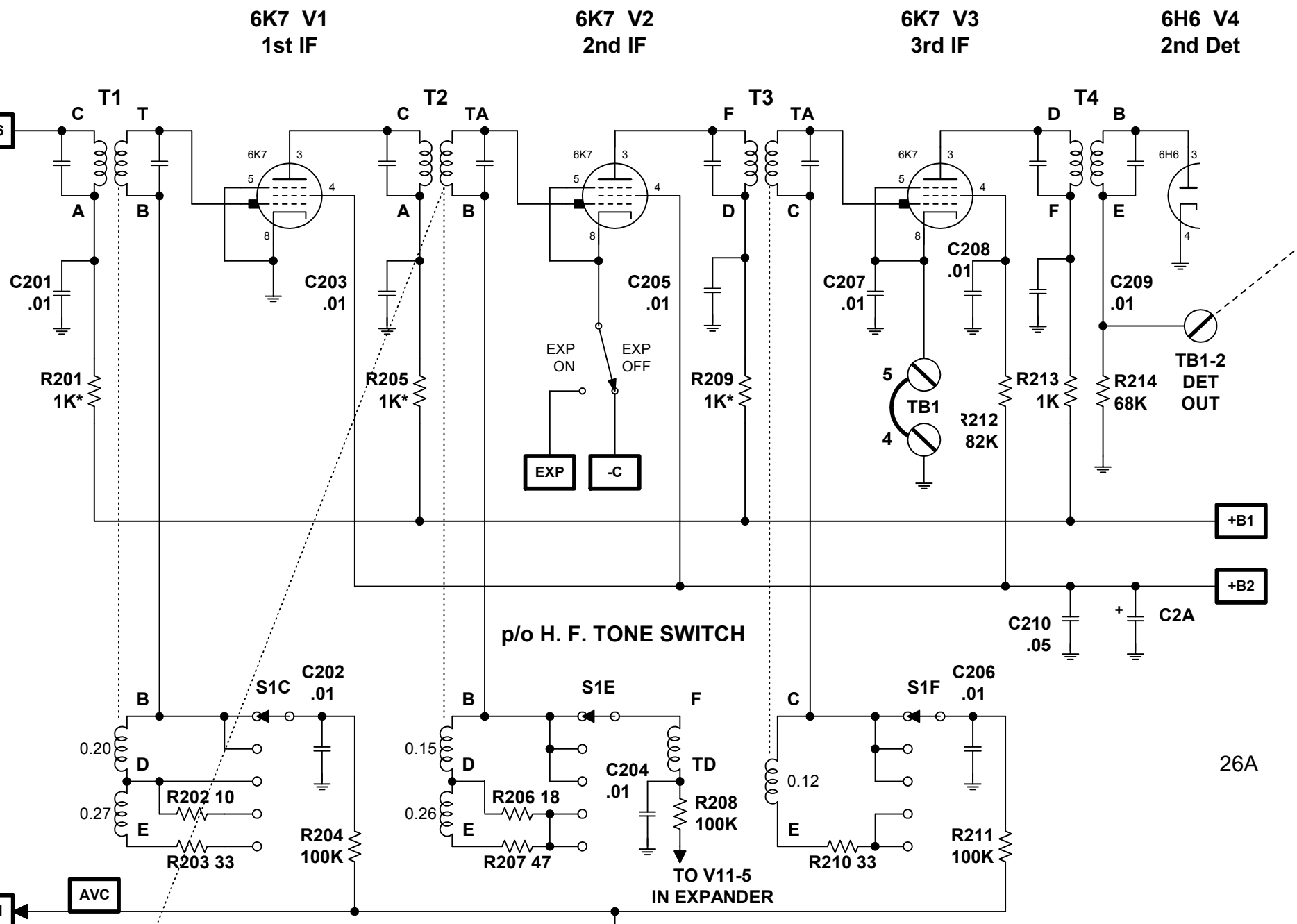
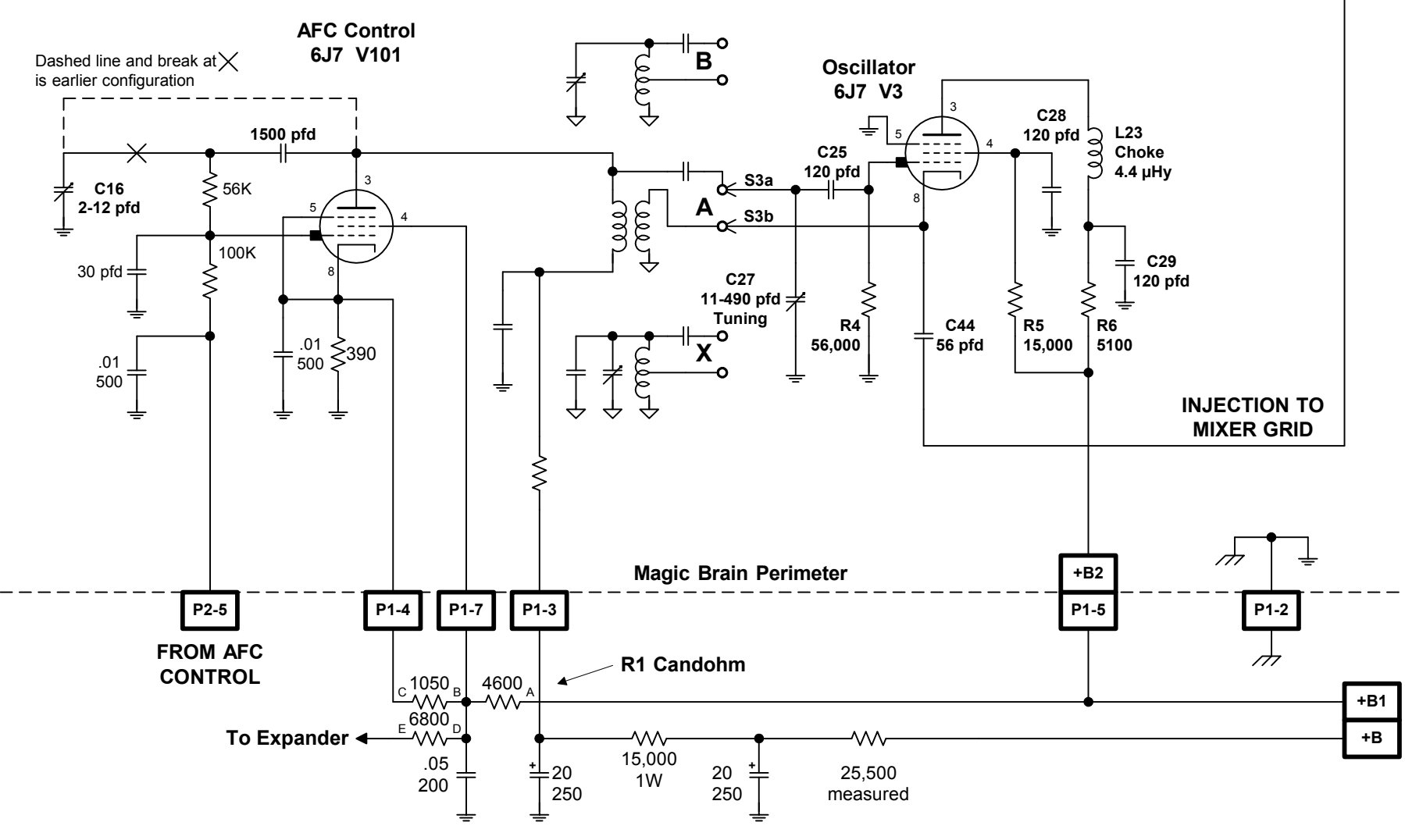


**FREQUENCY BANDS**  
 D 23,000 - 60,000 kc  
 C 6,400 - 23,000 kc  
 B 1,800 - 6,400 kc  
 A 530 - 1,800 kc  
 X 150 - 410 kc

Band	Lnn	Cnn value
C	L7	C19 4600 pfd
B	L8	C20 1550 pfd
X	L10	C22 180 pfd



- P1 1 - AVC
  - 2 - Chassis ground
  - 3 - +B to AFC Control tube
  - 4 - AFC Control cathode bias
  - 5 - +B
  - 6 - Mixer plate to IFT
  - 7 - Screen supply for AFC ctl
  - 8 - Bandswitch bias control
- P2 1 - n/c
  - 2 - Filament
  - 3 - Chassis ground
  - 4 - n/c
  - 5 - n/c (tie point)
  - 6 - AFC on/off switch
  - 7 - Filament
  - 8 - n/c

