

Notes:

Most part numbers are the same as the 7570. The grid leak #7639 is correct. All component values were verified by measurement.

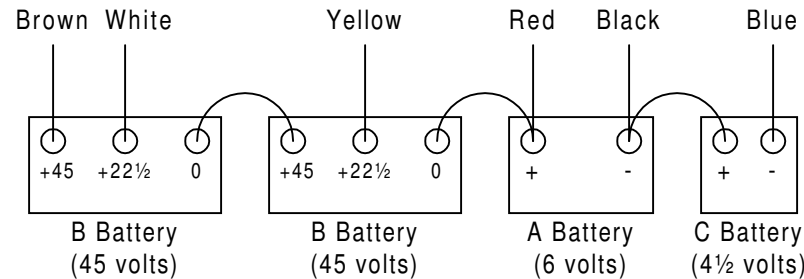
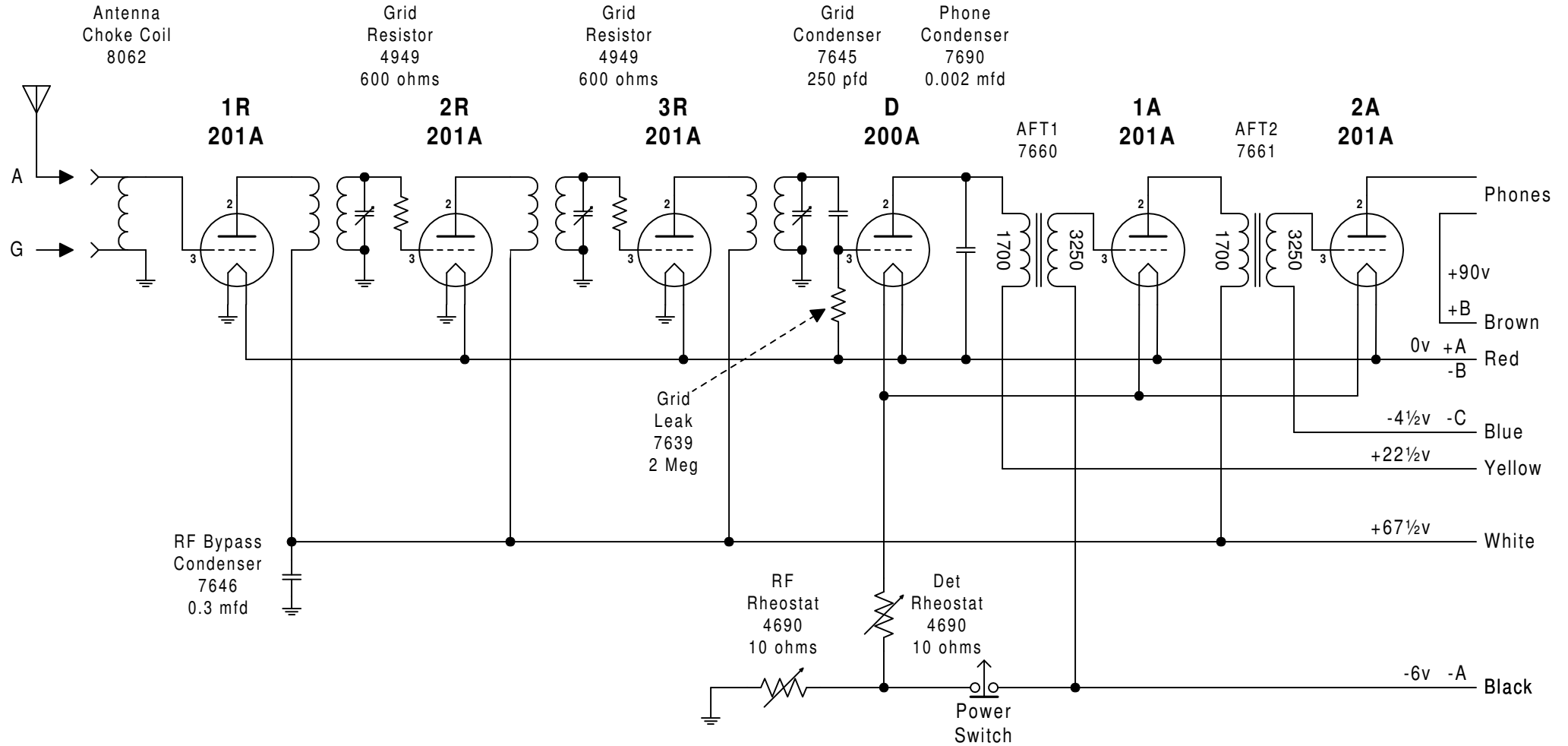
This model is not documented in any of the AK service literature. But it does match the set on the one-dial tuning patent #1,668,155 which was issued on May 1, 1928.

The information on this schematic was obtained from one 7950 in the author's collection.

This design falls between the Model 20 7570 and the Model 20 7960, modified by the addition of an antenna matching stage.

The D/1A/2A circuitry is unique to this model: The filament circuit is like the 7570, but the plate and grid circuits are like the 7960.

The RF Bypass condenser has a lead emerging from a hole on the underside. There is no solder connection accessible from outside the condenser body.



PRELIMINARY
The information herein is correct to the best of my knowledge. However, since this receiver was never documented by AK, this schematic is subject to revision as additional examples become available for study, and additional information is obtained from other sources.

All dimensions in inches All dimensions nominal.	W3NLB		(c) 2004-2005 W3NLB All Rights Reserved	
	Atwater Kent Model 30 7950 Schematic Diagram			
Drawn by: Leigh Bassett W3NLB	FSCM NO	DWG NO AK07950SCH	REV A	
Date: 31 AUG 2005	SCALE	SHEET 1 OF 1		