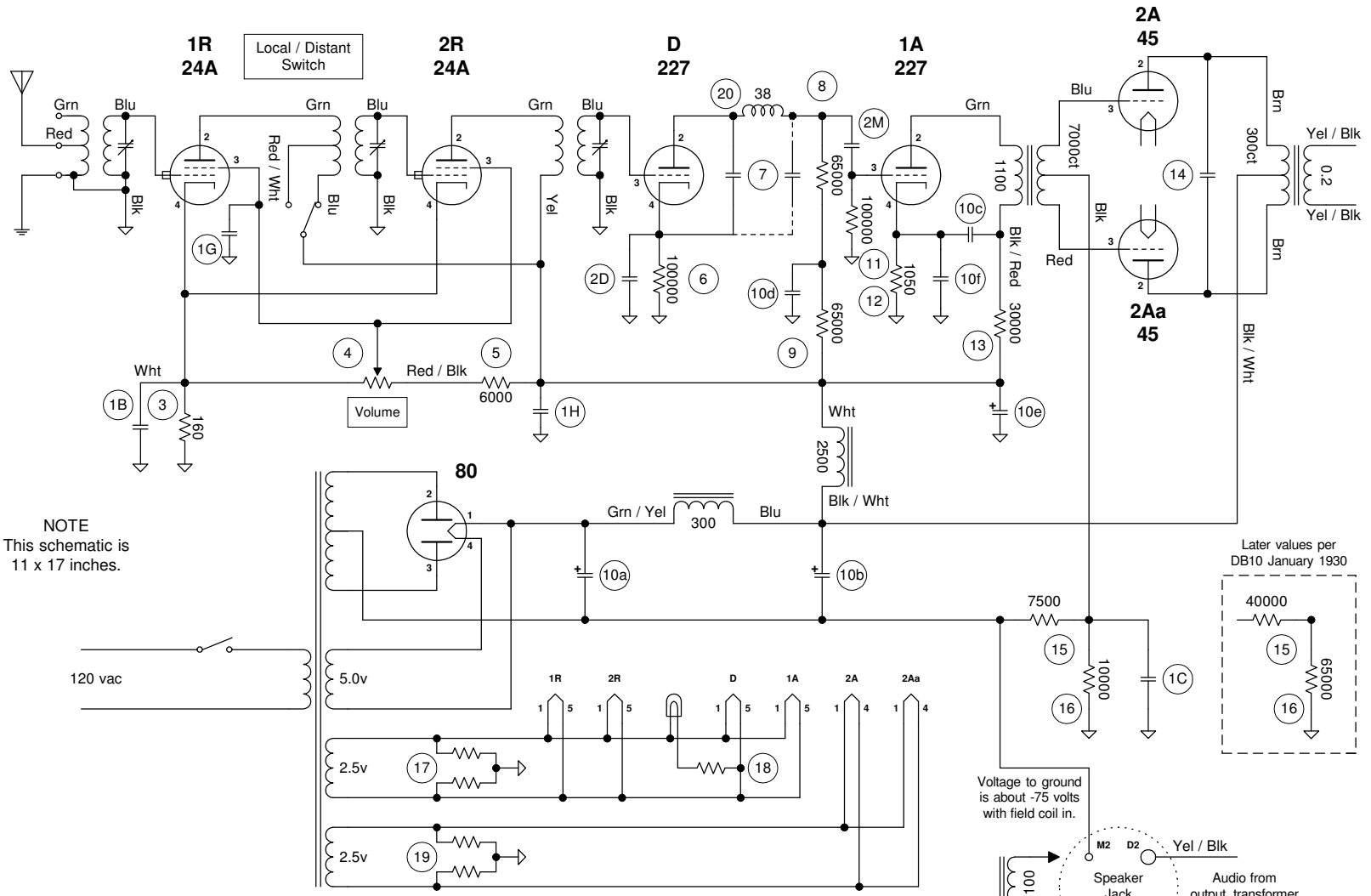
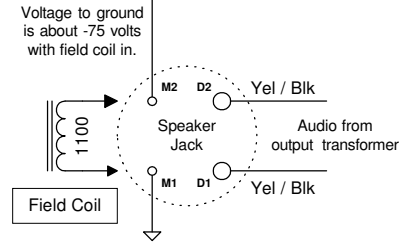
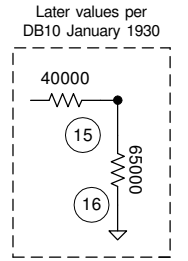


REF	PART NO.	VALUE	DESCRIPTION
1B	15262 (H-1)	0.1 / 150v	RF bias bypass
1C	15262 (H-1)	0.1 / 150v	2nd AF bias bypass
1G	15262 (H-1)	0.1 / 400v	Screen grid bypass
1H	15262 (H-1)	0.1 / 400v	RF plate circuit bypass
2D	15263 (H-2)	0.3 / 150v	Det bias bypass
2M	15263 (H-2)	.075 / 400v	Det 1st AF coupling condenser
3	16988	160	RF bias resistor
4	14250	6000	Volume control
5	Purple	6000	Bleeder
6	Blue	100,000	Det bias resistor
7	14072(15792)	.002 / 400v	Phone condenser single (double) ¹
8	Black	65,000	Det coupling resistor
9	Black	65,000	Det filter resistor
10a	14340	2 / 450v	Filter condenser #1
10b	14340	2.3 / 450v	Filter condenser #2
10c	14340	0.5 / 400v	1st AF filter condenser
10d	14340	1.0 / 400v	Det filter condenser
10e	14340	2.3 / 450v	Filter condenser #3
10f	14340	0.1 / 400v	1st AF bias bypass
11	Red - Blue	100,000	1st AF grid leak
12	15660	1050	1st AF bias resistor
13	Gray	30,000	1st AF filter resistor
14	Note 2	0.01 / 600v	Quality condenser
15	Yellow ³	7,500	2nd AF bias resistor #2
16	Maroon ³	10,000	2nd AF bias resistor #1
17	17077	5 + 5	Filament shunt resistor
18	15747	2	Dial light resistor
19	17077	5 + 5	Filament shunt resistor
20	15271	-	Det plate choke

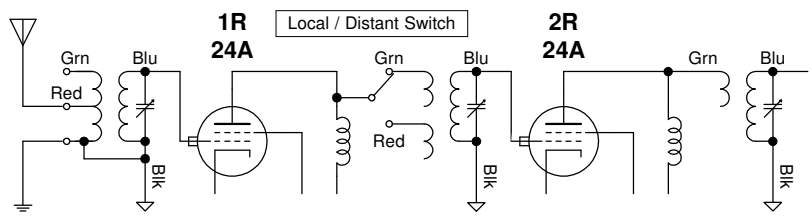
Notes
1 - Phone condenser was single or double; double shown in dotted lines.
2 - Quality condenser is mounted inside the audio output transformer.
3 - White 40,000 replaced Yellow, Black 65,000 replaced Maroon as a pair.



NOTE
This schematic is 11 x 17 inches.



PRELIMINARY
The data presented herein is believed to be correct, but is subject to revision as new information becomes available.



Detail of shunt-fed transformers used in some early sets. The primary is capacitively coupled to the secondary.

Element \ Tube	1R	2R	D	1A	2A
Plate	175	175	110	70	235
Screen	85	85			
Grid	-3	-3	-12	-2	-42

All voltages measured from tube cathode (-F for 2A & 2Aa), volume at maximum. Taken with 1000 ohm-per-volt meter at 120 volt line. Reduce by 9% for 110 volt line.

This drawing covers models: 55 14900 below 3,380,001 55C 14800 below 4,140,001

W3NLB (c) 2003-2007 W3NLB All Rights Reserved

Atwater Kent Model 55 & 55C (early)

Schematic Diagram

Drawn by: Leigh Bassett W3NLB Size: B FSCM NO: DWG NO: AK14900SCH REV: I

Date: 15 Feb 07 SCALE: SHEET: 1 OF 1