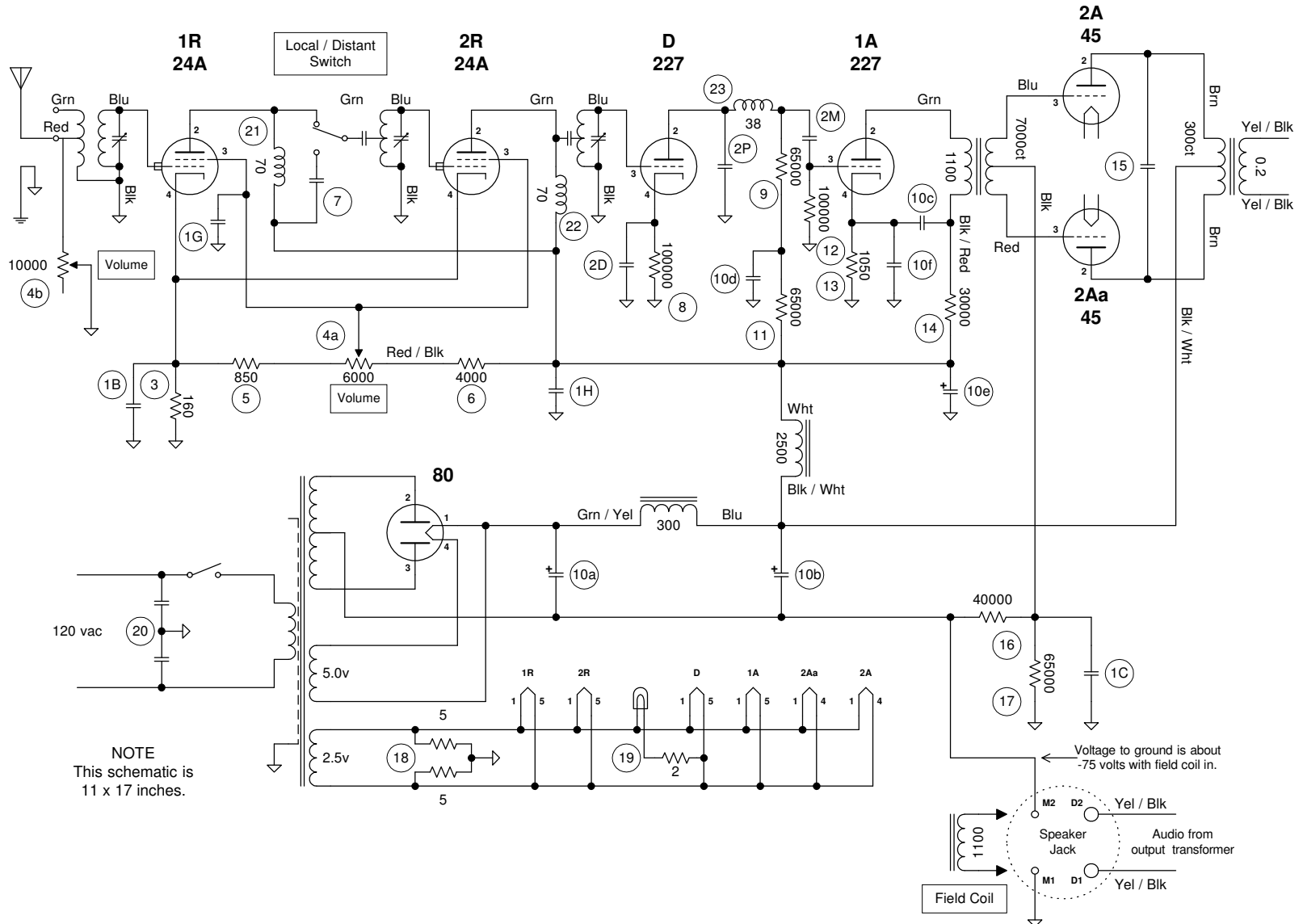


REF	PART NO.	VALUE	DESCRIPTION
1B	15262 (H-1)	0.1 / 150v	RF bias bypass
1C	15262 (H-1)	0.1 / 150v	2nd AF bias bypass
1G	15262 (H-1)	0.1 / 400v	Screen bypass
1H	15262 (H-1)	0.1 / 400v	RF plate circuit bypass
2D	16745 (H-7)	0.3 / 150v	Det bias bypass
2M	16745 (H-7)	.075 / 400v	Det 1st AF coupling condenser
2P	16745 (H-7)	250 pfd / 400v	Phone condenser
3	16988	160	RF bias resistor
4	15160	6000 / 10000	Volume control
5	16989	850	Bleeder Resistor #2
6	16295	4,000	Bleeder Resistor #1
7	16788	28 pfd	Loc/Dist switch condenser
8	Blue	100,000	Det bias resistor
9	Black	65,000	Det coupling resistor
10a	14340	2 / 450v	Filter condenser #1
10b	14340	2.3 / 450v	Filter condenser #2
10c	14340	0.5 / 400v	1st AF filter condenser
10d	14340	1.0 / 400v	Det filter condenser
10e	14340	2.3 / 450v	Filter condenser #3
10f	14340	0.1 / 400v	1st AF bias bypass
11	Black	65,000	Det filter resistor
12	Red - Blue	100,000	1st AF grid leak
13	15660	1050	1st AF bias resistor
14	Gray	30,000	1st AF filter resistor
15	Note 1	0.01 / 600v	Quality condenser
16	White	40,000	2nd AF bias resistor #2
17	Black	65,000	2nd AF bias resistor #1
18	17077	5 + 5	Filament shunt resistor
19	15747	2	Dial light resistor
20	16828 (B-5)	2 x .01 / 450v	Line bypass condenser
21	16659	10 mHy	RF Plate Choke #1
22	16659	10 mHy	RF Plate Choke #2
23	15271	-	Det plate RF choke



NOTE
This schematic is
11 x 17 inches.

Notes
1 - Quality condenser is mounted inside the audio output transformer.
2 - Part number is believed to be correct but unconfirmed.

Voltage Table

Element \ Tube	1R	2R	D	1A	2A
Plate	175	175	110	70	235
Screen	85	85			
Grid	-3	-3	-12	-2	-42

All voltages measured from tube cathode (-F for 2A & 2Aa), volume at maximum.
Taken with 1000 ohm-per-volt meter at 120 volt line. Reduce by 9% for 110 volt line.

PRELIMINARY
The data presented herein is believed to be correct, but is
subject to revision as new information becomes available.

This drawing covers models: 55 14900 above 3,380,001 55C 14800 above 4,140,001		W3NLB		(c) 2003-2007 W3NLB All Rights Reserved	
Atwater Kent Model 55 & 55C (late)					
Schematic Diagram					
Drawn by: Leigh Bassett W3NLB	Size B	FSCM NO	DWG NO AK14901SCH	REV K	
Date: 15 Feb 2007	SCALE			SHEET 1 OF 1	