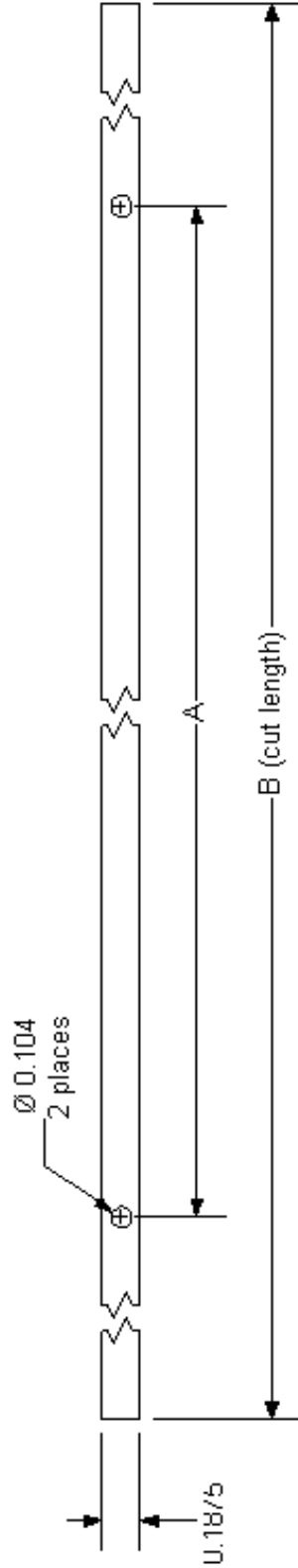
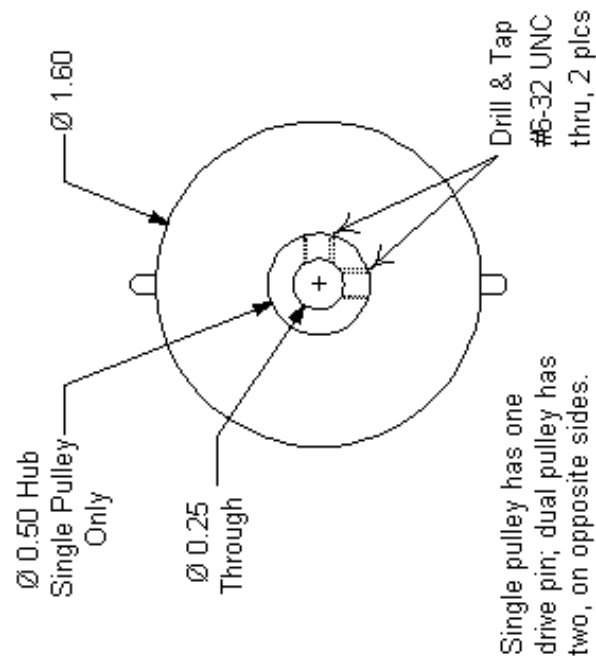
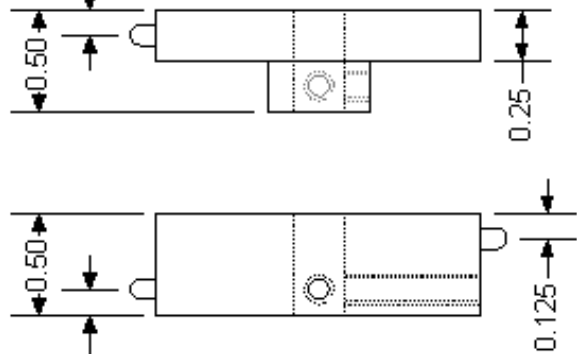


Ø 0.104  
2 places



Material:  
0.004 - 0.006  
Beryllium Copper

9169 Dual    9168 Single

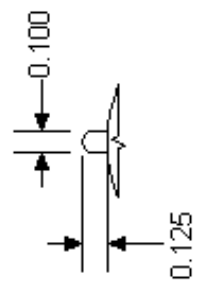


Ø 0.50 Hub  
Single Pulley  
Only

Ø 0.25  
Through

Single pulley has one  
drive pin; dual pulley has  
two, on opposite sides.

Drive Pin Detail



Belt Dimensions

Set	Part#	A	B
30	7965	6.5	13.0
30-A & 35	8136	6.0	12.0
30-A & 35	8146	6.5	13.0

All dimensions in inches All dimensions nominal. Pulley part's 9168 & 9169 Belt part's 7965, 8136 & 8146		<b>W33NLB</b> (C) 2003 W33NLB All Rights Reserved	
Drwn by: Leigh Bassett W33NLB Date: 02 Nov 2003		<b>Atwater Kent Models 30, 30-A &amp; 35          Drive Belts and Pulleys</b>	
FSCAT NO	DWG NO	REV D	SHEET 1 OF 1